

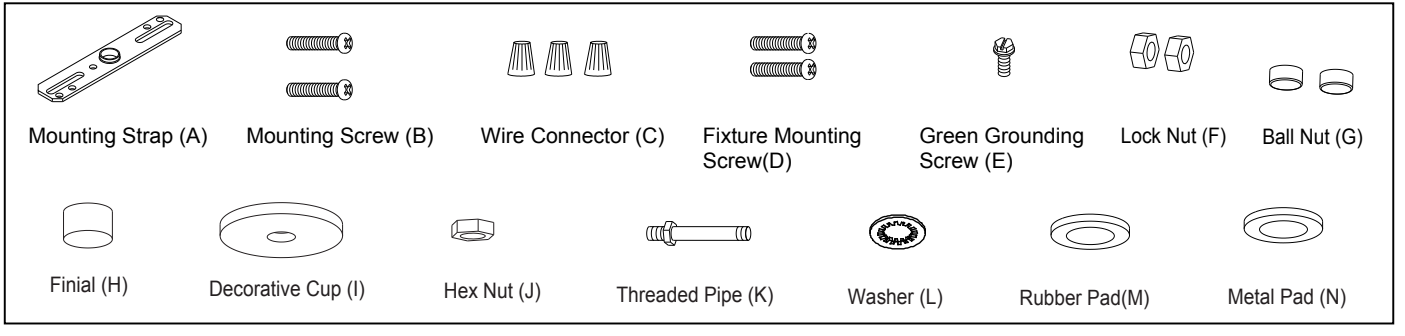
ASSEMBLY AND INSTALLATION INSTRUCTIONS

C0170

WARNING: TO AVOID RISK OF ELECTRICAL SHOCK, BE SURE TO SHUT OFF POWER BEFORE INSTALLING OR SERVICING THIS FIXTURE.

NOTES: 1. Before installing, consult local electrical codes for wiring and grounding requirements.
2. READ AND SAVE THESE INSTRUCTIONS.

Hardware Package (included):



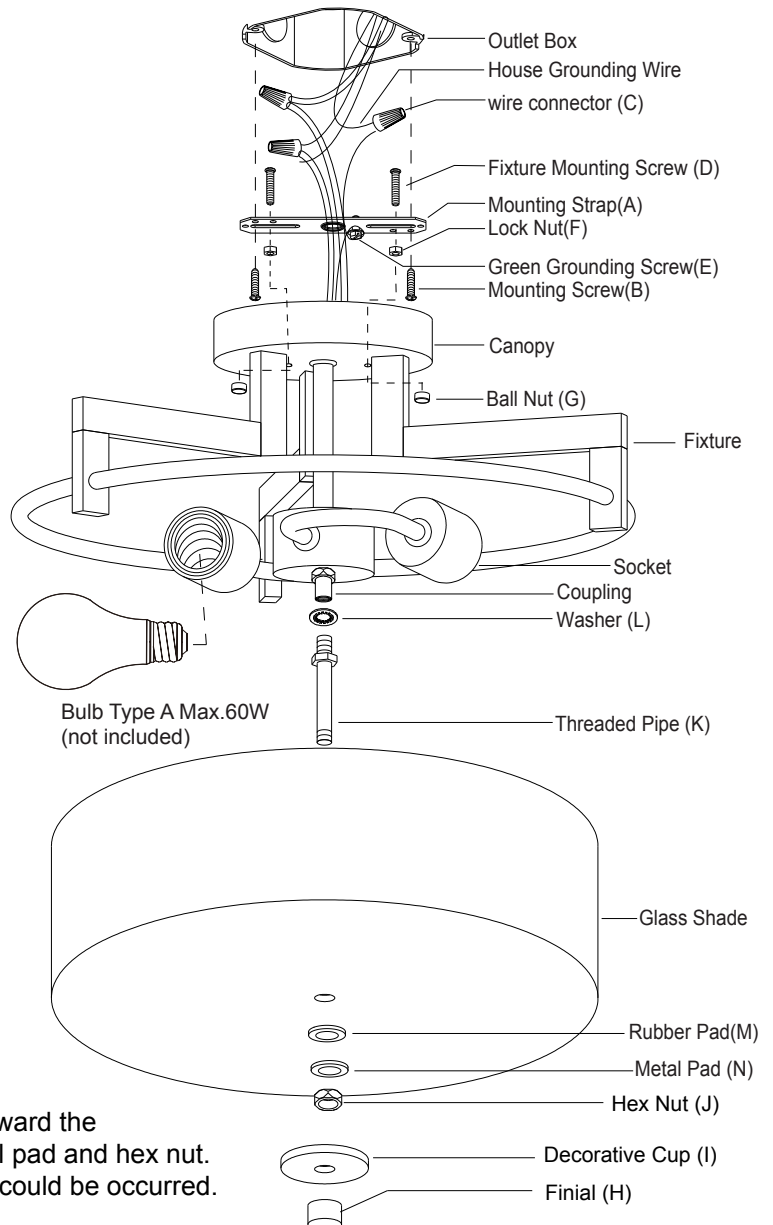
Installation Steps

Turn off the power at fuse or circuit box

1. Attach two fixture mounting screws to the mounting strap, and then secure it with two lock nuts. Adjust the length of the fixture mounting screws if necessary.
2. Attach the mounting strap to the outlet box using two mounting screws.
3. Pull out the source wires from the outlet box. Make wire connections using wire connectors as follows:
 - Connect the black wire from the fixture to the black wire from the power source.
 - Connect the white wire from the fixture to the white wire from the power source.
 - Attach the fixture grounding wire to the mounting strap with the green grounding screw, and then connect it to the house grounding wire with a wire connector.

Carefully put the wires back into the outlet box.

4. Attach the canopy to the mounting strap by inserting the fixture mounting screws, and then secure it with two ball nuts.
5. Screw the threaded pipe into the coupling, then secure it with a washer and hex nut.
Note: Depth of threaded pipe may need to be adjusted to properly fit glass shade, decorative cup and finial.
6. Install 2 x 60W max medium base bulbs (not included) to the sockets.
7. Slip the glass shade through the threaded pipe and upward the ceiling pan. Then tighten them with a rubber pad, metal pad and hex nut.
Caution: Do not over tighten, breakage of glass shade could be occurred.

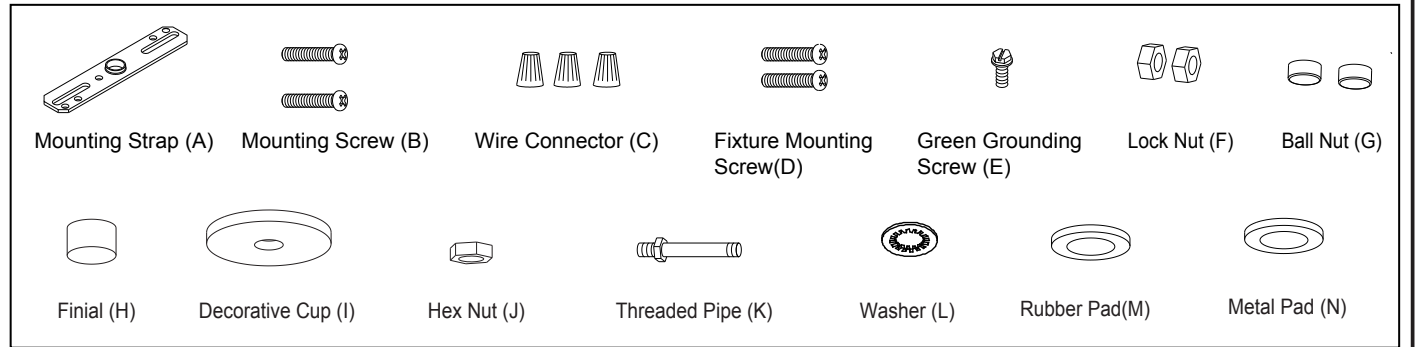


8. Slip the decorative cup up through the threaded pipe, secure it with a finial.

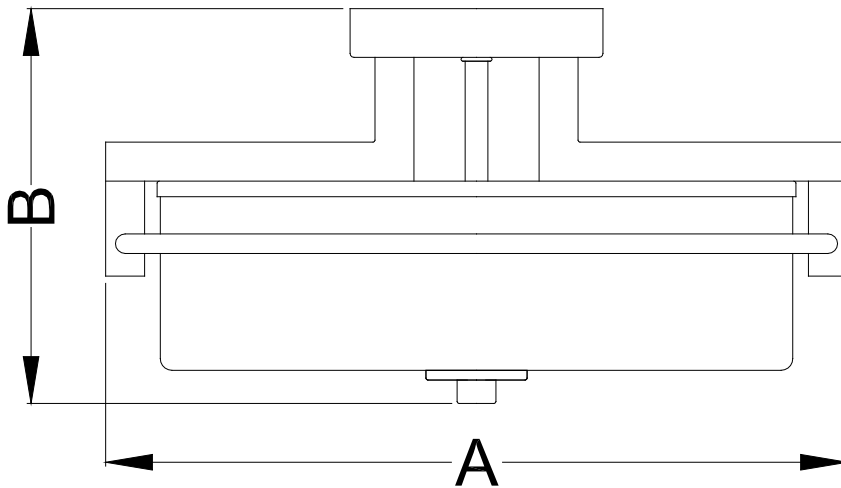
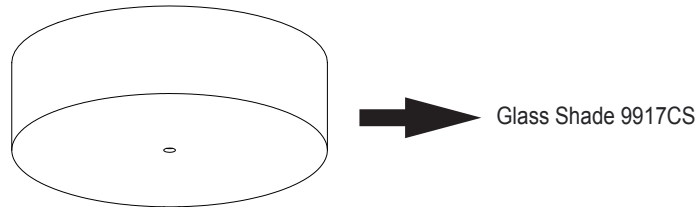
Turn on the power at fuse or circuit box

The following parts are available for re-order if damaged or missing.

Spare Parts List:



Mounting Hardware 5771MM (1SET)



A: 15"

B: 8"